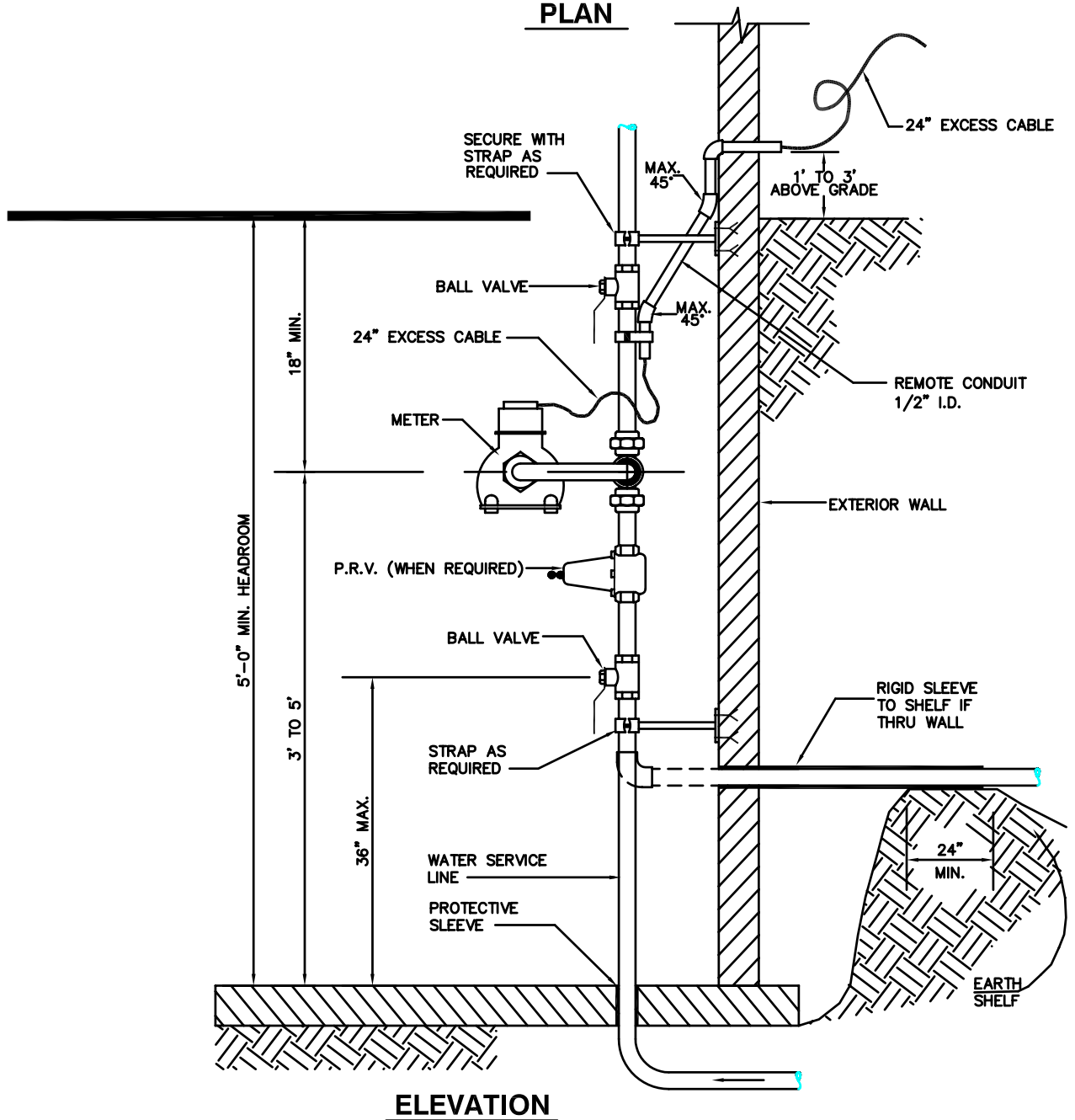
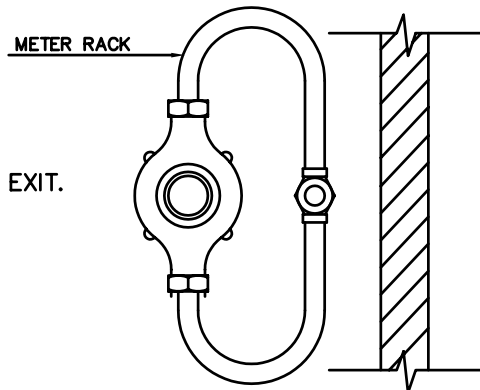


**NOTES:**

1. METER TO BE SET HORIZONTALLY.
2. BENDS IN REMOTE READER CONDUIT NO GREATER THAN 45° EXCEPT 90° PERMITTED AT EXIT.
3. REMOTE READER CABLE SUPPLIED BY OTHERS.
4. SECURE METER RACK ABOVE AND BELOW TO PREVENT STRAIN ON PIPING.



WASHINGTON  
SUBURBAN  
SANITARY  
COMMISSION

APPROVED: JULY 1, 2005

*Richard R. Huggins*  
Chief Engineer

STANDARD DETAIL

INSIDE WATER METER  
SETTING 1" AND  
SMALLER

W  
7.1