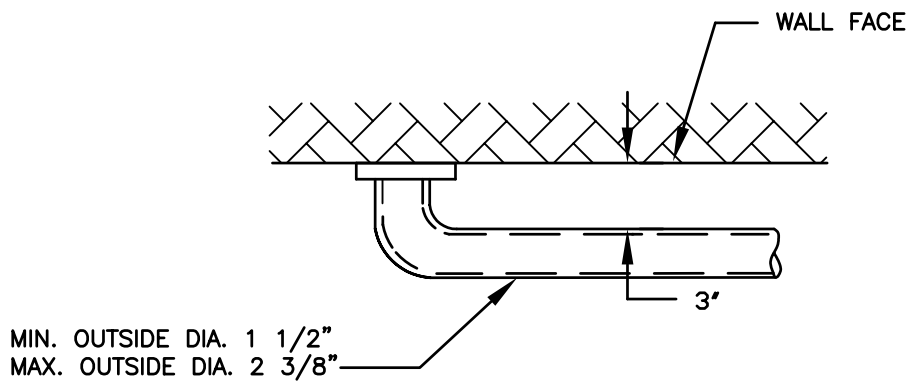


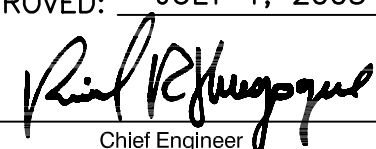
ELEVATION (STRAIGHT STAIR)



PLAN

GENERAL NOTES:

1. ALL RAILINGS SHALL BE CAPABLE OF WITHSTANDING A LOAD OF AT LEAST 200 LBS. APPLIED IN ANY DIRECTION ON ANY POINT OF THE RAIL.
2. SIZES AND CONNECTIONS OF RAILS AND RAIL SUPPORTS SHALL BE AS SHOWN ON DRAWING.

| | | | |
|--|--|---------------------------------|------------------|
| WASHINGTON SUBURBAN SANITARY COMMISSION | APPROVED: <u>JULY 1, 2005</u>  Chief Engineer | STANDARD DETAIL HANDRAIL | $\frac{M}{21.2}$ |
|--|--|---------------------------------|------------------|