

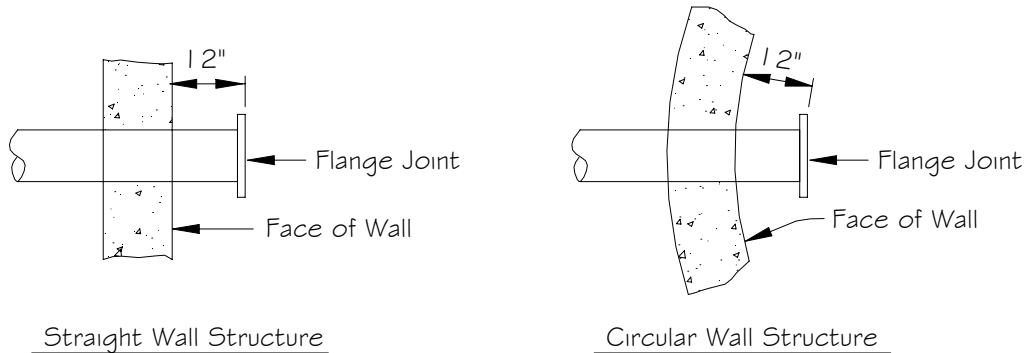
15. Pipe Joint Clearances within Structures.

a. General.

- 1) The following establishes the minimum distance that a pipe joint can be located from the walls of structures and buildings for both buried piping and piping exposed in a building or structure to facilitate installation and future maintenance. Pipe joint manufacturers may recommend clearances smaller than those stated in this section, but the clearances indicated below must be used for the design. Do not design pipe joints with stud bolts; base the designs on joints using standard bolts with nuts.

b. Minimum Distances for Flanged Joints.

- 1) Straight wall. Provide a minimum distance of 12-inches from the face of the flange to the face of the wall, see Sketch "DD".
- 2) Circular wall. Provide a minimum distance of 12-inches, measure the distance from the closest face of the wall to closest face of the flange joint, see Sketch "DD".

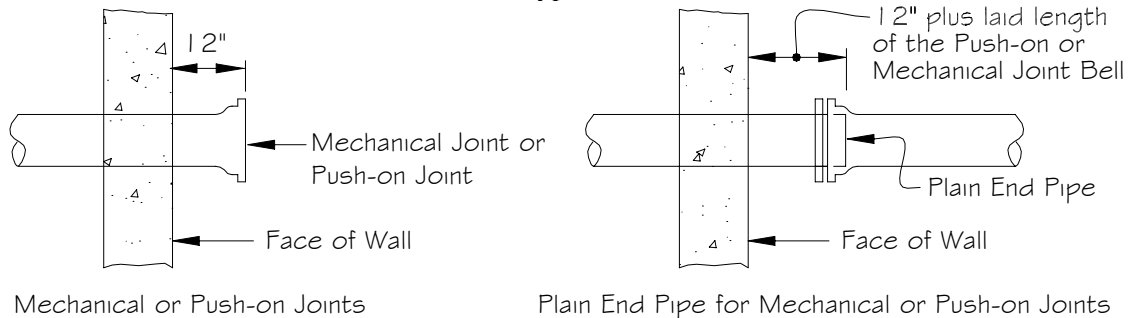


SKETCH "DD"

Location of Flanged Joint at Structures

c. Minimum Distances for Mechanical, Push-on and Plain End Joints.

- 1) Straight wall. Provide a minimum distance of 12- inches from the face of the bell to the face of the wall, see Sketch "EE".
- 2) Circular wall. Provide a minimum distance of 12-inches, measure the distance from the closest face of the wall to the closest face of the bell, typical to Sketch "EE".



SKETCH "EE"

Location of Mechanical, Push-on or Plain End Joints at Structures

