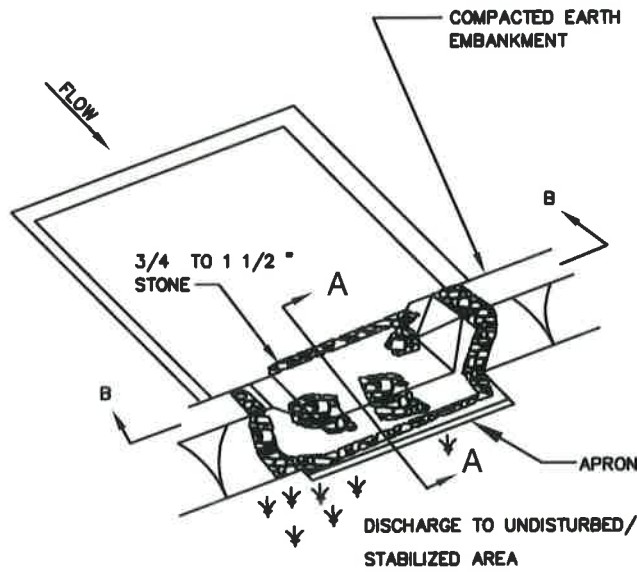
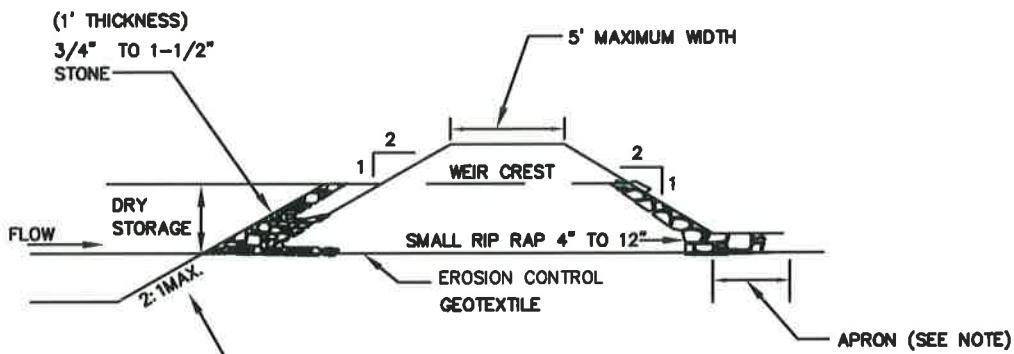


SECTION B-B



PERSPECTIVE VIEW



SECTION A-A

NOTE: 5' MINIMUM LENGTH UP TO 5 ACRES. OVER 5 ACRES USE 10' MIN.

SOST

WASHINGTON
SUBURBAN
SANITARY
COMMISSION

APPROVED: 8/12/16

Chief Engineer

STANDARD DETAIL
STONE OUTLET
SEDIMENT TRAP

SC
5.0