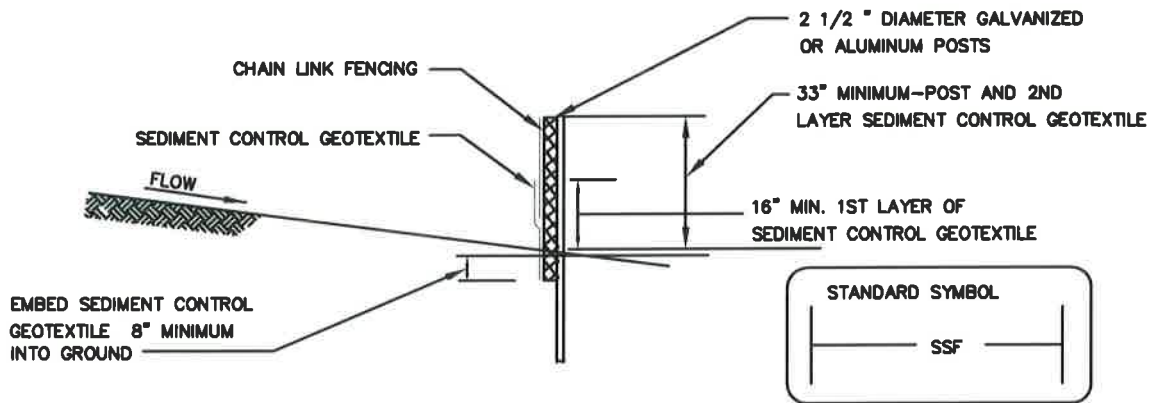
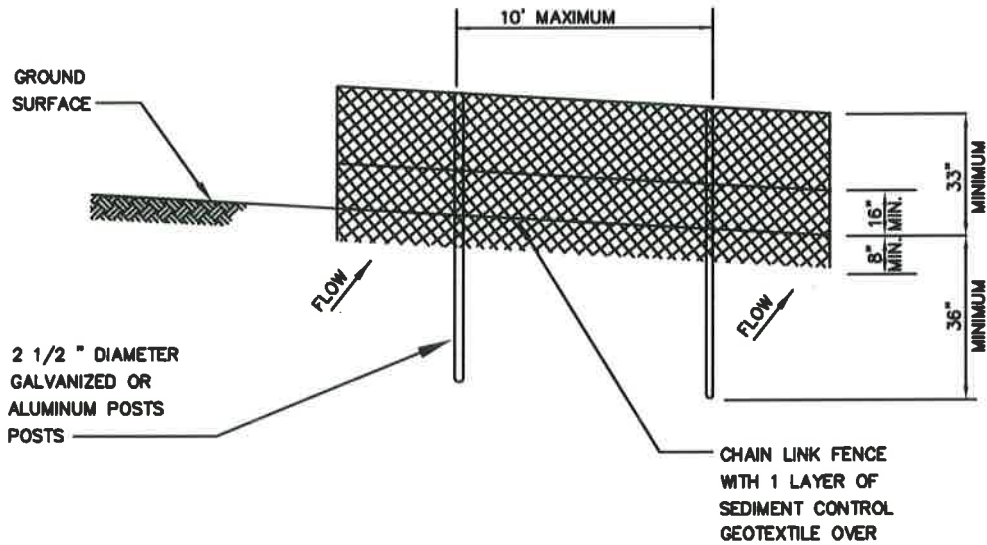



**NOTE:**

FENCE POST SPACING  
SHALL NOT EXCEED  
10' CENTER TO CENTER



WASHINGTON  
SUBURBAN  
SANITARY  
COMMISSION

APPROVED: 8/18/16



Chief Engineer

STANDARD DETAIL

SUPER  
SILT FENCE

SC  
2.0