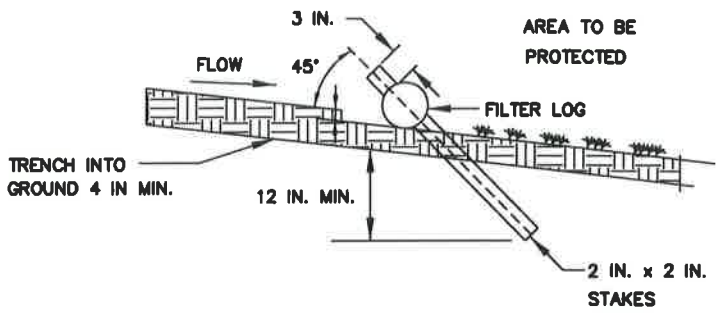
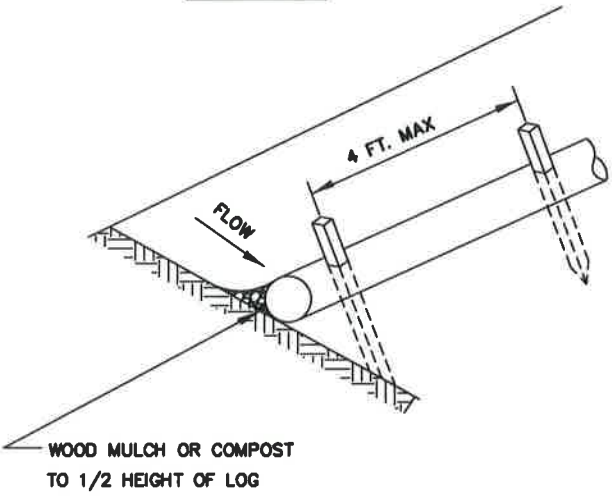


SECTION

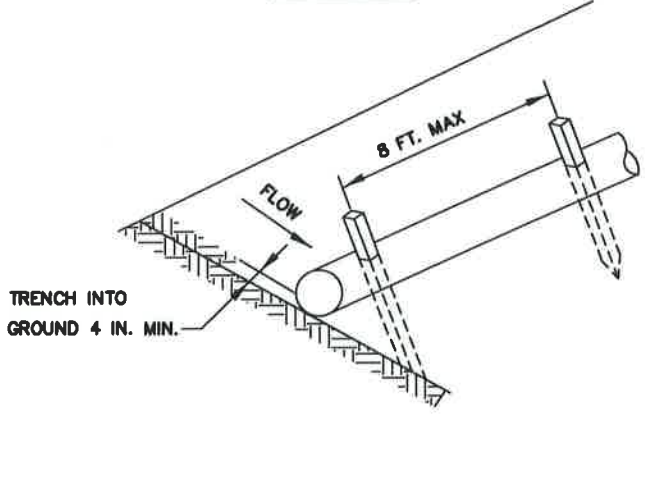


SECTION



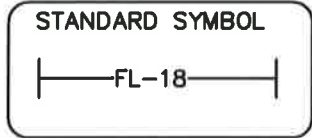
UNTRENCHED INSTALLATION

OR



ENTRENCHED INSTALLATION

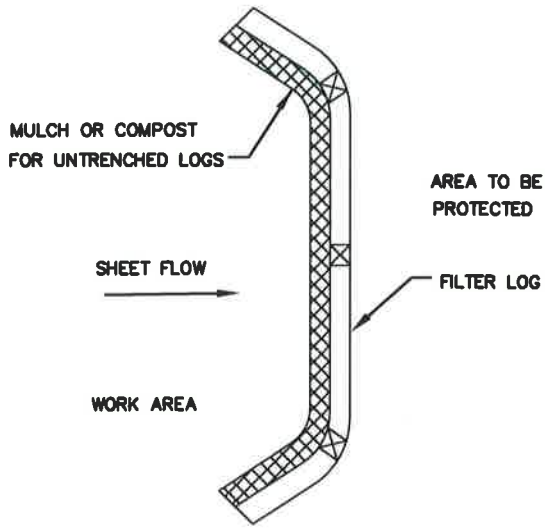
ISOMETRIC VIEW



THIS APPLICATION MAY NOT BE USED WITH LOGS SMALLER THAN 12 IN.

NOTE:

- 1. FOR NOTES SEE DETAIL SC/21.1



PLAN

WASHINGTON  
SUBURBAN  
SANITARY  
COMMISSION

APPROVED: 8/18/16  
  
Chief Engineer

STANDARD DETAIL  
FILTER LOG

SC  
20.0