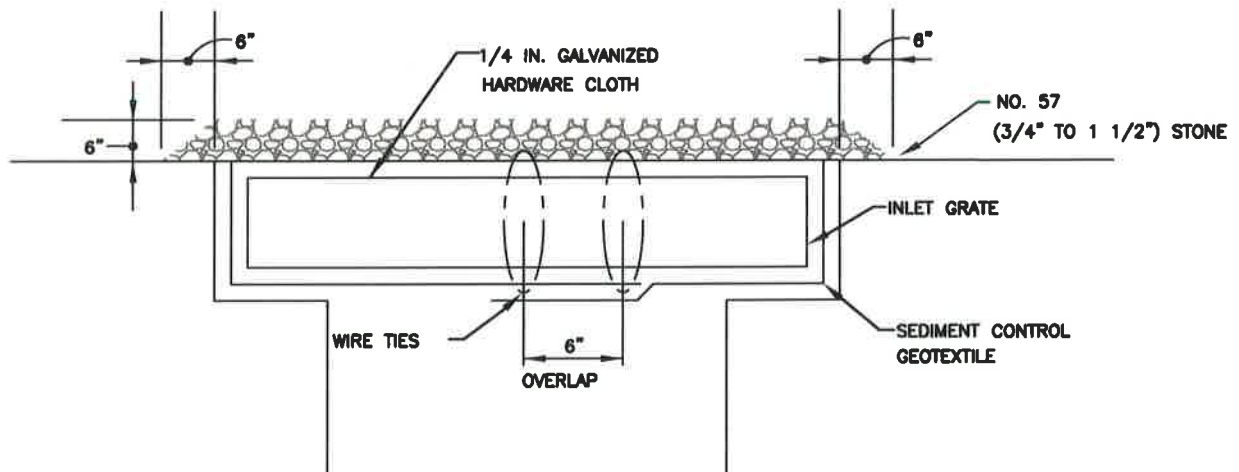
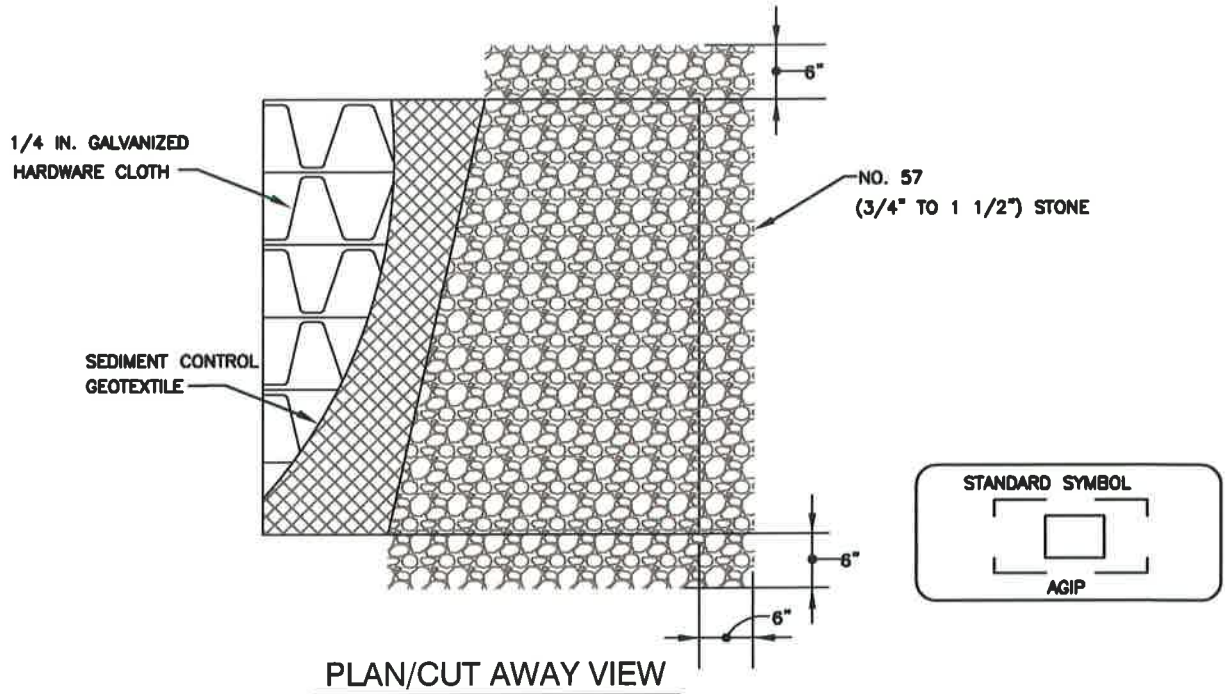


MAXIMUM DRAINAGE AREA = 1 ACRE



NOTES:

1. LIFT GRATE AND WRAP WITH GEOTEXTILE TO COMPLETELY COVER ALL OPENINGS. SECURE WITH WIRE TIES AND SET GRATE BACK IN PLACE.
2. PLACE 3/4" TO 1 1/2" STONE, 6" THICK ON THE GRATE TO SECURE THE GEOTEXTILE AND PROVIDE ADDITIONAL FILTRATION.

WASHINGTON
SUBURBAN
SANITARY
COMMISSION

APPROVED:

8/18/16

Chief Engineer

STANDARD DETAIL

AT-GRADE INLET
PROTECTION DETAIL

SC
16.1