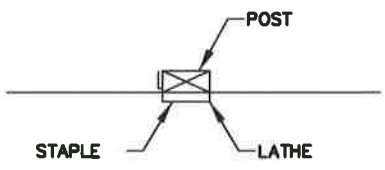
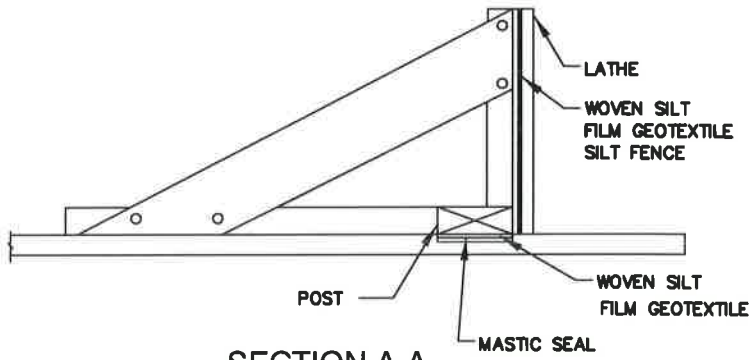


ISOMETRIC VIEW



JOINING ADJACENT SECTIONS OF GEOTEXTILE



SECTION A-A

NOTES:

1. USE NOMINAL 2-INCH x 4-INCH LUMBER.
2. USE WOVEN SEDIMENT CONTROL GEOTEXTILE FABRIC
3. SPACE UPRIGHT SUPPORTS NO MORE THAN 10 FEET APART.
4. PROVIDE A TWO FOOT OPENING BETWEEN EVERY SET OF SUPPORTS AND PLACE #57 GRADED STONE IN THE OPENING OVER GEOTEXTILE.
5. KEEP SILT FENCE TAUT AND SECURELY STAPLE TO THE UPSLOPE SIDE OF UPRIGHT SUPPORTS. EXTEND GEOTEXTILE UNDER 2x4.
6. WHERE TWO SECTIONS OF GEOTEXTILE ADJOIN: OVERLAP, FOLD, AND STAPLE TO POST IN ACCORDANCE WITH THIS DETAIL. ATTACH A LATHE.
7. PROVIDE A MASTIC SEAL BETWEEN PAVEMENT, GEOTEXTILE, AND 2x4 TO PREVENT SEDIMENT-LADEN WATER FROM ESCAPING BENEATH SILT FENCE INSTALLATION.
8. SECURE BOARDS TO PAVEMENT WITH 40D 5-INCH MINIMUM LENGTH NAILS.
9. REMOVE ACCUMULATED SEDIMENT AND DEBRIS WHEN BULGES DEVELOP IN SILT FENCE OR WHEN SEDIMENT REACHES 25% OF FENCE HEIGHT. REPLACE GEOTEXTILE IF TORN. MAINTAIN WATER TIGHT SEAL ALONG BOTTOM. REPLACE STONE IF DISPLACED.

WASHINGTON
SUBURBAN
SANITARY
COMMISSION

APPROVED: 8/12/16

Chief Engineer

STANDARD DETAIL
SILT FENCE
ON PAVEMENT

SC
1.1