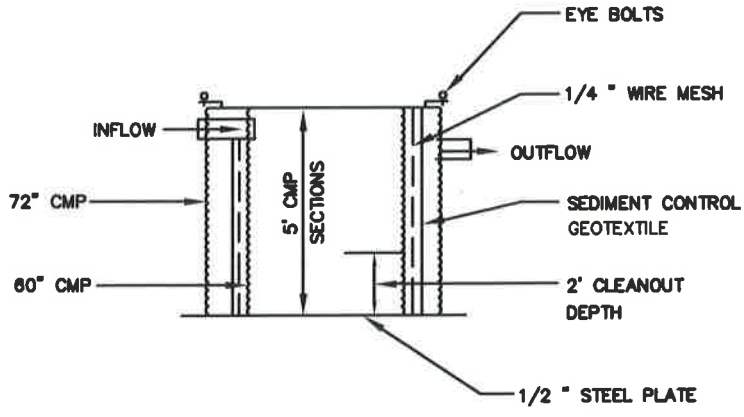
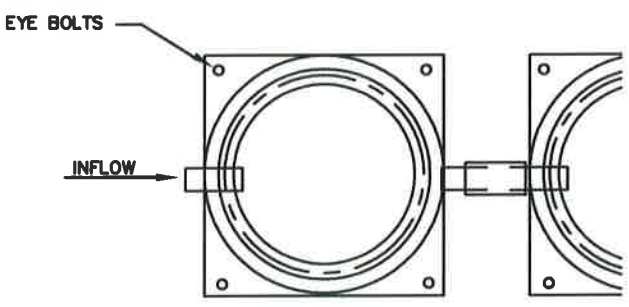


PERFORATE 60" CMP  
WITH 1" HOLES AT  
6" ON CENTER




ELEVATION



PLAN

WASHINGTON  
SUBURBAN  
SANITARY  
COMMISSION

APPROVED: 8/18/16  
  
Chief Engineer

STANDARD DETAIL  
PORTABLE  
SEDIMENT TANK

SC  
15.0