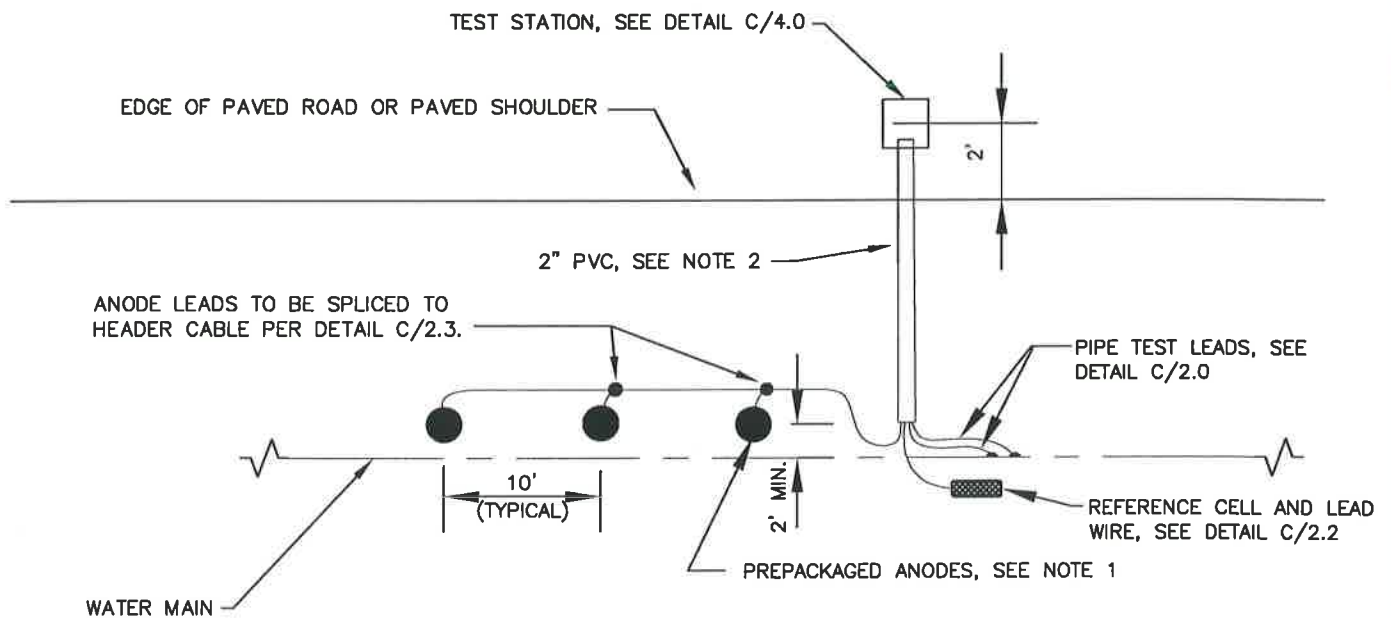


PLAN VIEW - ROADS WITH CURB LINES

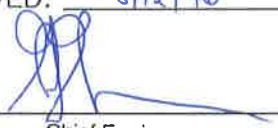


PLAN VIEW - ROADS WITHOUT CURB LINES

NOTES:

1. PREPACKAGED ANODES
FOR DIP AND STEEL WATER MAINS
 PREPACKAGED MAGNESIUM ANODE (TYPICAL), NUMBER AND SIZE AS REQUIRED IN SPECIFICATIONS AND CONTRACT DOCUMENTS.
FOR CONNECTION NEAR EXIST. PCWP WATER MAINS
 PREPACKAGED ZINC ANODE (TYPICAL), NUMBER AND SIZE AS REQUIRED IN SPECIFICATIONS AND CONTRACT DOCUMENTS.
2. RUN ALL WIRES IN 2" PVC SCH. 40 CONDUIT, FROM CONNECTION POINTS UNTIL THEY REACH THE BOTTOM OF THE TEST STATION ASSEMBLY.
3. FOR PLAN AND ELEVATION, SEE DETAILS C/2.2 AND C/2.2b.

WASHINGTON
SUBURBAN
SANITARY
COMMISSION

APPROVED: 8/12/16

 Chief Engineer

STANDARD DETAIL
**PLAN VIEW OF
 SACRIFICIAL ANODE INSTALLATION
 AND TEST STATION PLACEMENT**

C
2.2a