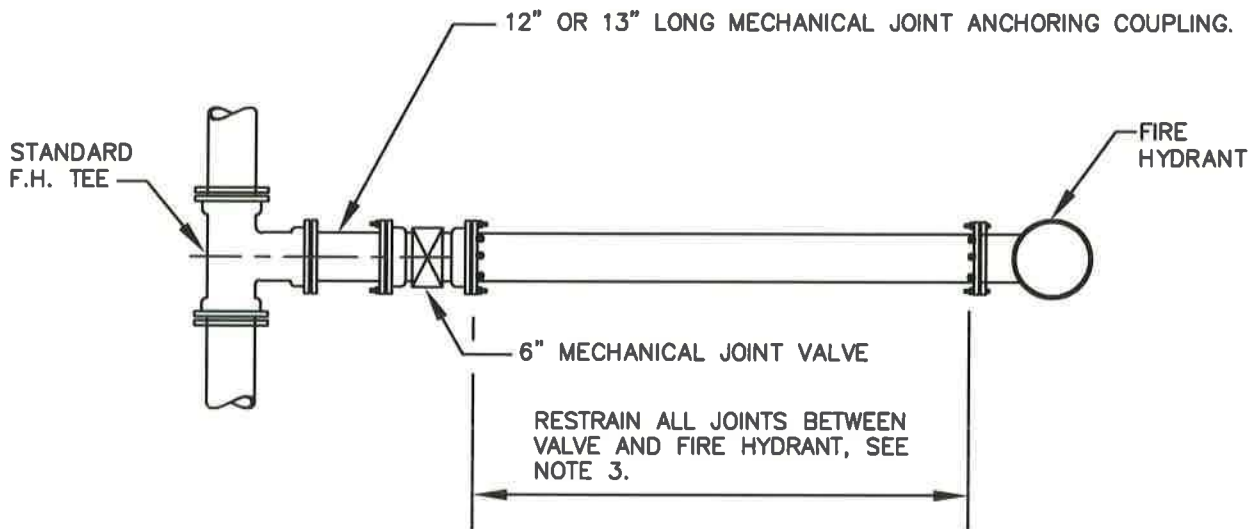


OPTION FOR USE OF ANCHORING COUPLING



PLAN

NOTES:

1. DO NOT BLOCK FIRE HYDRANT TEE OR FIRE HYDRANT.
2. RESTRAIN ALL JOINTS BETWEEN FIRE HYDRANT TEE AND VALVE, USING ANCHORING TEE OR ANCHORING COUPLING.
3. RESTRAIN ALL JOINTS FROM VALVE TO FIRE HYDRANT, USING WEDGE ACTION RESTRAINING GLANDS OR RESTRAINED JOINT GASKETS, SEE SPECIFICATIONS.
4. PLACE RESTRAINED JOINT PIPE TAPE ON TOP OF PIPE FROM FIRE HYDRANT TEE TO FIRE HYDRANT, SEE SPECIFICATIONS.

WASHINGTON SUBURBAN SANITARY COMMISSION	APPROVED: <u>8/18/16</u>  Chief Engineer	STANDARD DETAIL METHOD OF RESTRAINING FIRE HYDRANT TO MAIN 12-INCH AND SMALLER	<u>B</u> <u>2.1</u>
--	---	---	------------------------