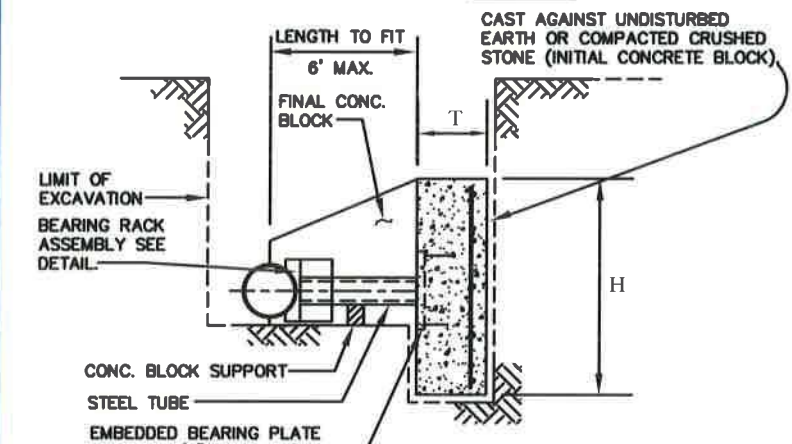


PLAN

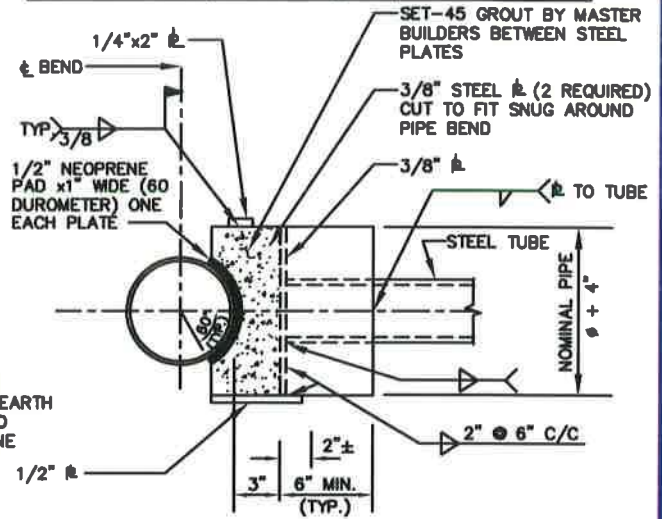


ELEVATION

NOTES:

1. ALL REINFORCING STEEL SHALL CONFORM TO ASTM A-615 GRADE 60.
2. STEEL TUBE SHALL BE ASTM A-500 GRADE B.
3. ALL STEEL PLATE SHALL CONFORM TO ASTM A-36.
4. WELDING SHALL BE 1/4" FILLET WELDS, USING E70XX ELECTRODES UNLESS OTHERWISE SHOWN ON THE DETAILS.
5. IF WORKING PLUS SURGE PRESSURES ARE HIGHER THAN 250 PSI, SPECIAL DESIGN IS REQUIRED AND SHOULD BE SUBMITTED TO TSG FOR REVIEW.
6. FOR 4" THROUGH 16" PIPE, BLOCK DIMENSIONS L AND H SHALL BE AS PER DETAIL B/1.0; T=1'-0"; REINFORCED WITH #5@6" c/c EACH WAY (3 BARS MIN E.W.).
7. SPECIAL DESIGN IS REQUIRED FOR MAINS LARGER THAN 16 INCH AND FOR 90° BENDS. DESIGN SHOULD BE SUBMITTED TO TSG FOR REVIEW.
8. DUCTILE IRON FITTINGS ONLY.

PIPE DIA.	STEEL TUBE	BEARING PLATE
6" THRU 12"	TS 4x4x1/4	16"x16"x1"
16"	TS 8x8x1/4	20"x20"x1"



DETAIL - BEARING RACK ASSEMBLY

SEQUENCE OF CONSTRUCTION:

1. EXCAVATE AT LOCATION OF PROPOSED BEND AND BLOCK.
2. CAST INITIAL CONCRETE BLOCK AGAINST UNDISTURBED FACE OF EXCAVATION. CONCRETE SHALL OBTAIN A STRENGTH OF 4000 PSI BEFORE PROCEEDING WITH REMAINDER OF CONSTRUCTION SEQUENCE. TYPE III CEMENT CAN BE USED TO ACHIEVE EARLY REQUIRED STRENGTH.
3. DISCONTINUE SERVICE. INSTALL PROPOSED BEND AND CONNECT NEW WATER MAIN. ABANDON THE EXISTING WATER LINE AS REQUIRED.
4. ADJUST LENGTH OF THE STEEL STRUCTURAL TUBE AND FIELD WELD TO BEARING PLATE EMBEDDED IN INITIAL CONCRETE BLOCK AS SHOWN ON DETAIL. CENTERLINE OF STEEL TUBE SHALL BE ALIGNED WITH BEND CENTERLINE.
5. ATTACH NEOPRENE STRIPS TO BEARING SURFACE OF PIPE BEND.
6. ALIGN BEARING RACK AND POSITION AGAINST PIPE TO PROVIDE FIRM BEARING AGAINST NEOPRENE STRIPS ON PIPE BEND. WELD BEARING RACK ASSEMBLY TO BEAM AS REQUIRED.
7. FILL POCKET BETWEEN PIPE BEND AND BEARING RACK WITH SET-45 GROUT BY MASTER BUILDERS, ALLOW STRENGTH TO REACH $f_c=1000$ PSI PRIOR TO RESTORING SERVICE.
8. BACKFILL ADJACENT PIPES EACH SIDE OF BEND ABOVE SPRING LINE AS MUCH AS PRACTICAL PRIOR TO PRESSURIZATION.
9. RESTORE SERVICE.
10. CAST FINAL CONCRETE BLOCK AFTER TESTING IS COMPLETED. IF POSSIBLE, CAST FINAL BLOCK BEFORE RESTORING SERVICES.
11. BACKFILL EXCAVATION.

WASHINGTON
SUBURBAN
SANITARY
COMMISSION

APPROVED: *8/18/16*

Chief Engineer

STANDARD DETAIL
QUICK BLOCK
DIRECT THRUST

B
3.2