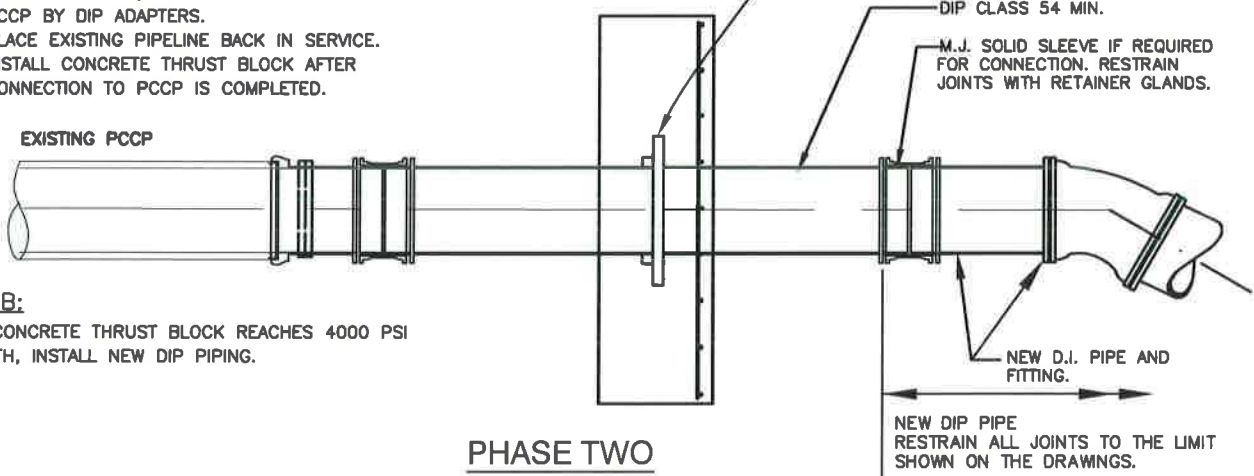


NOTE A:

1. REMOVE MINIMUM TWO SECTIONS OF EXISTING PCCP.
2. INSTALL NEW DIP, MJ SOLID SLEEVES AND PCCP BY DIP ADAPTERS.
3. PLACE EXISTING PIPELINE BACK IN SERVICE.
4. INSTALL CONCRETE THRUST BLOCK AFTER CONNECTION TO PCCP IS COMPLETED.

PHASE ONE



PHASE TWO

NOTE B:

AFTER CONCRETE THRUST BLOCK REACHES 4000 PSI STRENGTH, INSTALL NEW DIP PIPING.

NOTES:

1. SEE DETAIL B.3/3 FOR ADDITIONAL NOTES AND DETAILS
2. FIELD VERIFY EXISTING END CONDITIONS AT CONNECTING POINT AND PROVIDE APPROPRIATE PCCP TO DIP ADAPTER.
3. JOINT BETWEEN PCCP AND DIP x PCCP ADAPTER SHALL BE MORTAR-COATED AFTER ASSEMBLY (FOR NEW DIP BOND PIPE)
4. SEE DETAILS C/3.0, C/3.4 AND C/3.6 FOR INSULATING FLANGE JOINT

WASHINGTON SUBURBAN SANITARY COMMISSION	APPROVED: <u>8/15/16</u> Chief Engineer	STANDARD DETAIL QUICK HARNESSSED CONNECTION TO THRUST BLOCKING FOR EXISTING PRESTRESSED CONCRETE CYLINDER PIPE	B <hr style="width: 50%; margin: 0 auto;"/> 3.1b
--	--	--	---