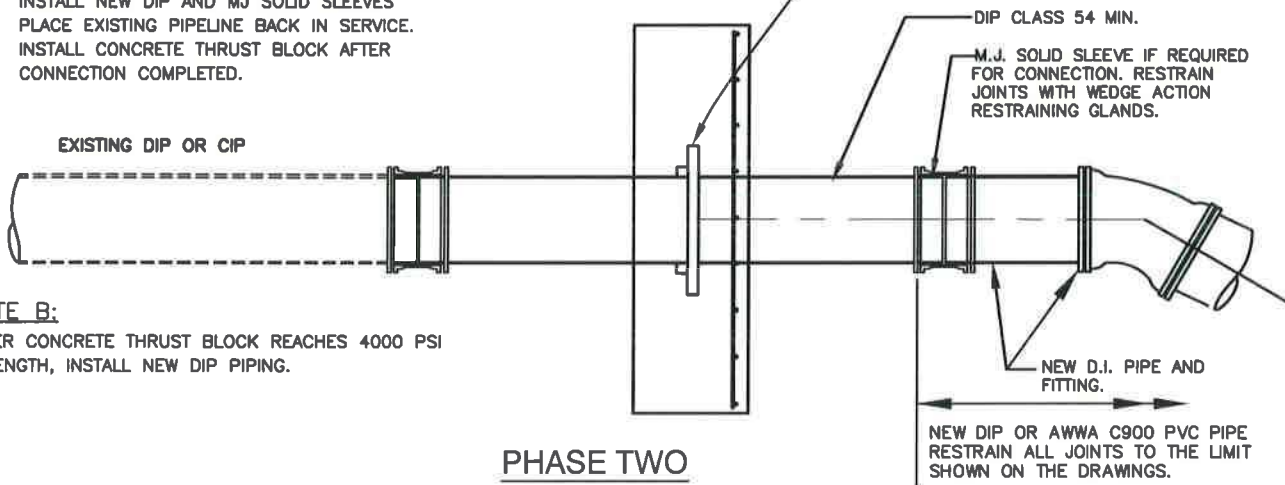


NOTE A:

1. REMOVE MINIMUM TWO SECTIONS OF EXISTING PCCP.
2. INSTALL NEW DIP AND MJ SOLID SLEEVES PLACE EXISTING PIPELINE BACK IN SERVICE.
3. INSTALL CONCRETE THRUST BLOCK AFTER CONNECTION COMPLETED.

PHASE ONE




NOTE B:

AFTER CONCRETE THRUST BLOCK REACHES 4000 PSI STRENGTH, INSTALL NEW DIP PIPING.

PHASE TWO

NOTE:

1. SEE DETAIL B/3.3 FOR ADDITIONAL NOTES AND DETAILS..

WASHINGTON SUBURBAN SANITARY COMMISSION	APPROVED: <u>8/18/16</u>  Chief Engineer	STANDARD DETAIL QUICK HARNESSSED CONNECTION TO THRUST BLOCKING FOR EXISTING DUCTILE IRON OR CAST IRON PIPE	B <hr/> 3.1
--	---	--	------------------------------