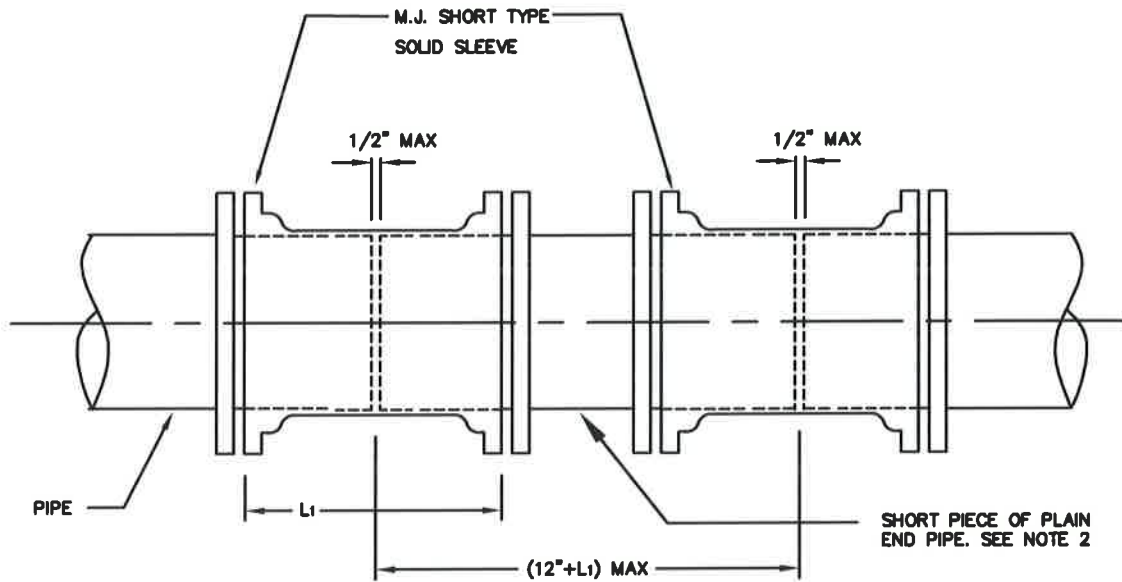


MECHANICAL JOINT SOLID SLEEVE (LONG TYPE)

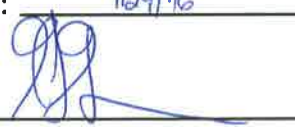


MECHANICAL JOINT TWO SOLID SLEEVES (SHORT TYPE)

NOTES:

1. FOR L₁ & L₂ DIMENSIONS, SEE AWWA C110 AND C153 FOR MECHANICAL JOINT SLEEVES (L₂ FOR LONG TYPE AND L₁ FOR SHORT TYPE).
2. TO BE CUT FROM THE SAME TYPE AND SIZE OF PIPE BEING SLEEVED.

WASHINGTON
SUBURBAN
SANITARY
COMMISSION

APPROVED: 9/29/16

Chief Engineer

STANDARD DETAIL
PIPE CLOSURE
JOINT DETAIL
USING MJ SOLID SLEEVES

W
11.0