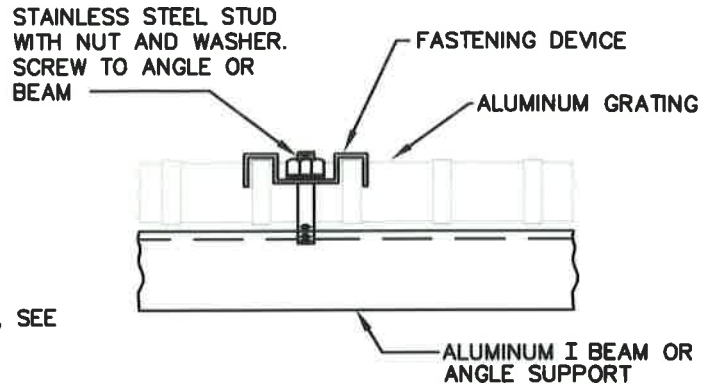


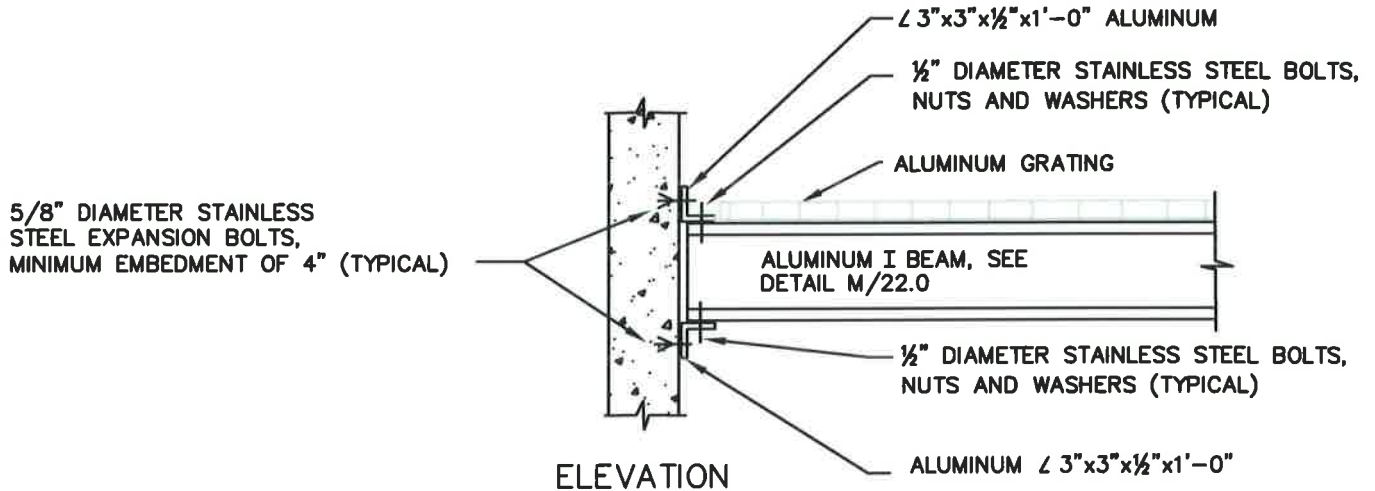
PARTIAL PLAN



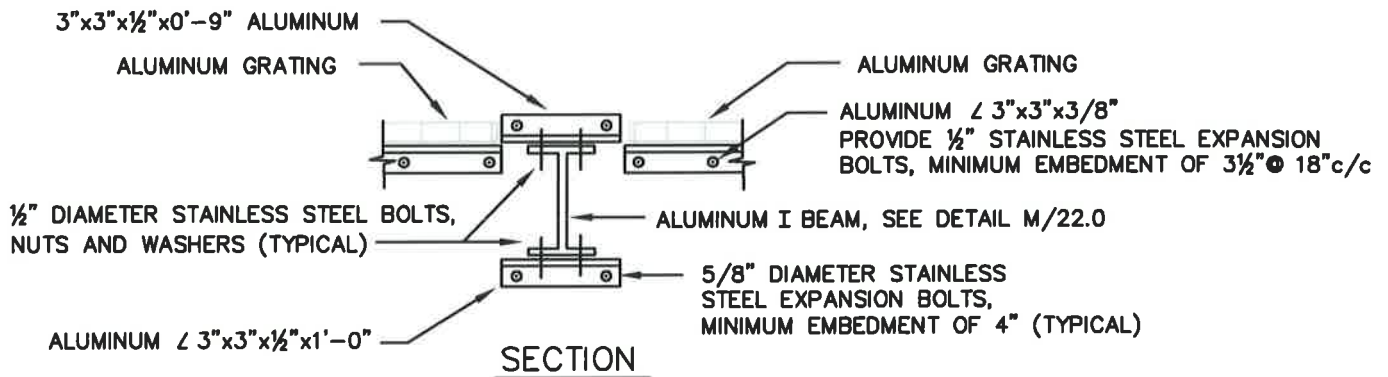
GRATING ANCHORING DETAIL

NOTE:

FASTENING DEVICE PER MANUFACTURER'S RECOMMENDATIONS. PROVIDE MINIMUM OF 4 FASTENERS PER GRATING UNIT.



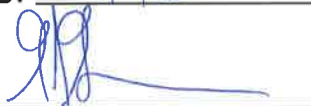
ELEVATION



SECTION

WASHINGTON  
SUBURBAN  
SANITARY  
COMMISSION

APPROVED:

8/8/16  
  
Chief Engineer

STANDARD DETAIL  
ALUMINUM  
PLATFORM GRATING  
FOR VAULTS

M  
22.1