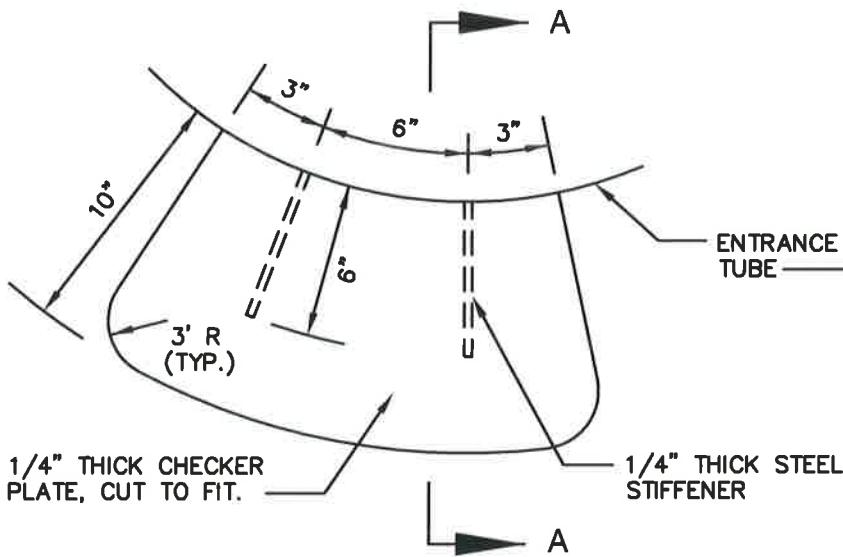


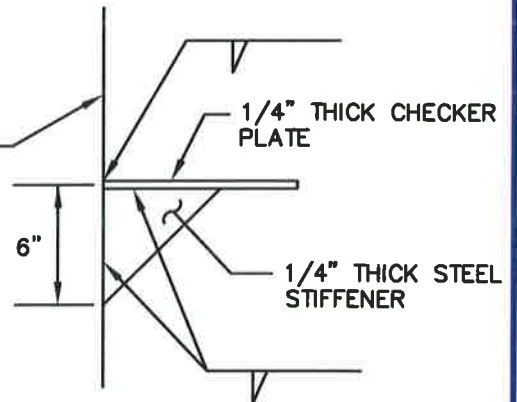
PLAN

NOTES:

1. ALL STEEL SHALL BE ASTM A-36.
2. WELDS SHALL BE 3/16" WIDE.
3. NO STEP IS REQUIRED IF ENTRANCE TUBE IS LESS THAN 12" HIGH.
4. ONE STEP IS REQUIRED AT 12" FROM FINISHED GRADE IF ENTRANCE TUBE IS BETWEEN 12" AND 24" HIGH.
5. TWO STEPS ARE REQUIRED AT 12" SPACING FROM FINISHED GRADE, IF ENTRANCE TUBE IS BETWEEN 24" AND 36" HIGH.
6. SPECIAL DESIGN IS REQUIRED FOR STEP, IF ENTRANCE TUBE IS MORE THAN 36" HIGH.
7. PAINT NEW MEMBERS AND WELDED AREA TO MATCH COATING SYSTEM AND COLOR WITH OTHERS.



STEP DETAIL



SECTION 'AA'

WASHINGTON
SUBURBAN
SANITARY
COMMISSION

APPROVED: 8/18/16

Chief Engineer

STANDARD DETAIL
DRYWELL ACCESS STEP
(FOR PACKAGE PUMPING STATION)

M
14.0