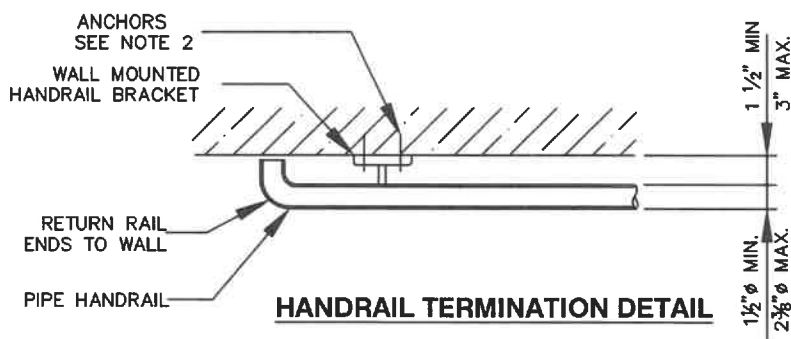


ELEVATION (STRAIGHT STAIR)

GENERAL NOTES:

1. ALL RAILINGS SHALL BE CAPABLE OF WITHSTANDING A LOAD OF AT LEAST 200 LBS. APPLIED IN ANY DIRECTION ON ANY POINT OF THE RAIL.
2. SIZES AND CONNECTIONS OF RAILS SHALL BE AS SHOWN ON DRAWINGS.
3. HANDRAILS TO BE DESIGNED PER LATEST INTERNATIONAL BUILDING CODE (IBC)



HANDRAIL TERMINATION DETAIL

WASHINGTON
SUBURBAN
SANITARY
COMMISSION

APPROVED: 6/17/21

Mike Hammer
Chief Engineer

STANDARD DETAIL
HANDRAIL ON STAIRS

M
21.1