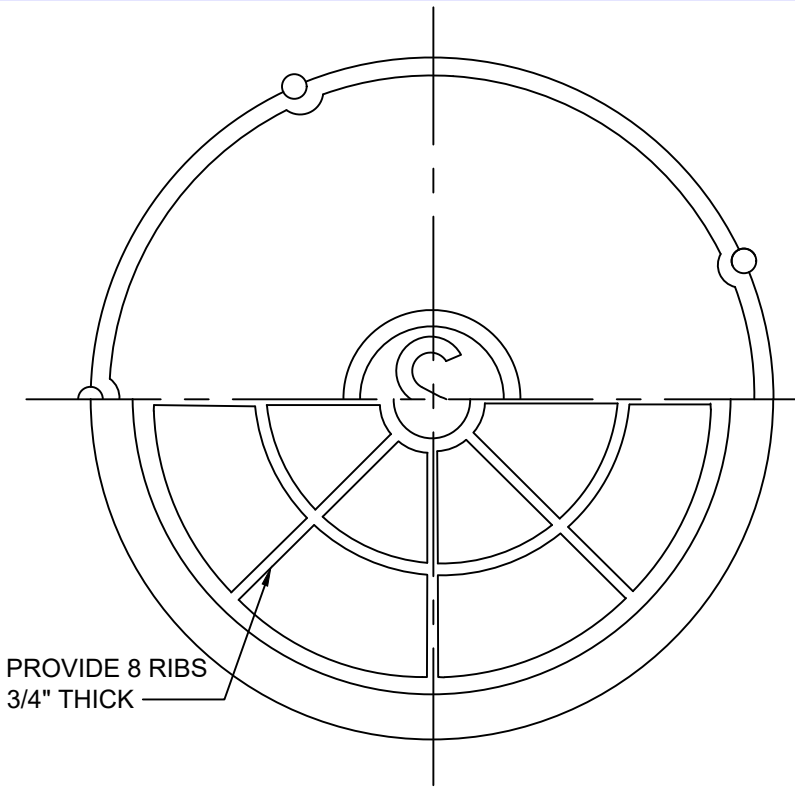


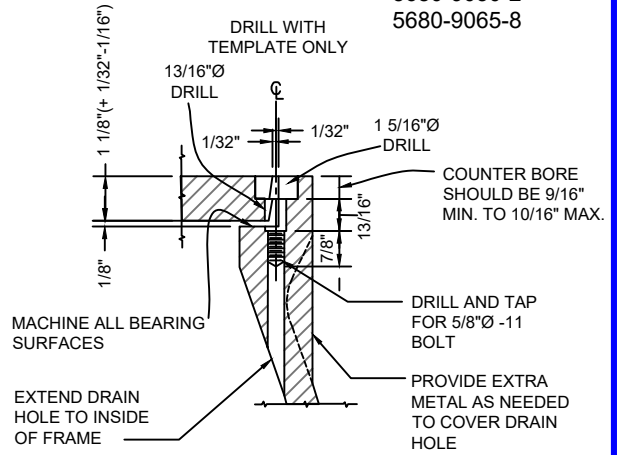
APPLICABLE STOCK NOS.

- 5680-9027-8
- 5680-9052-6
- 5680-9030-2
- 5680-9065-8

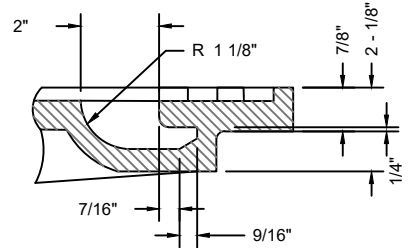


PROVIDE 8 RIBS
3/4" THICK

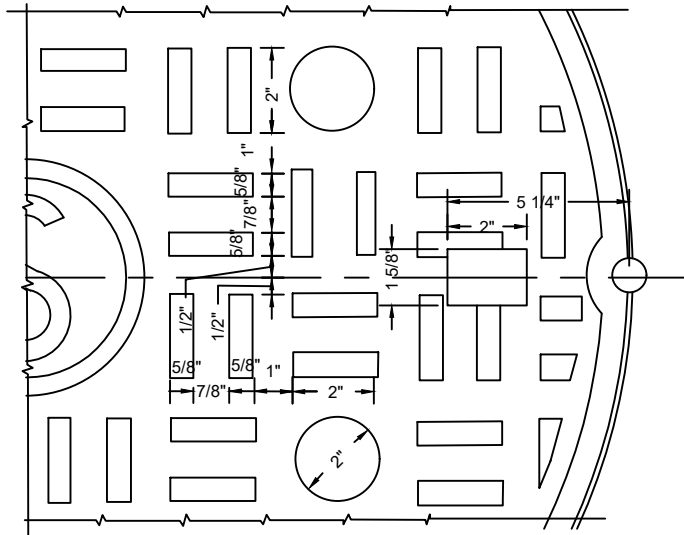
BOTTOM VIEW



SECTION A-A



SECTION THROUGH PICK SLOT

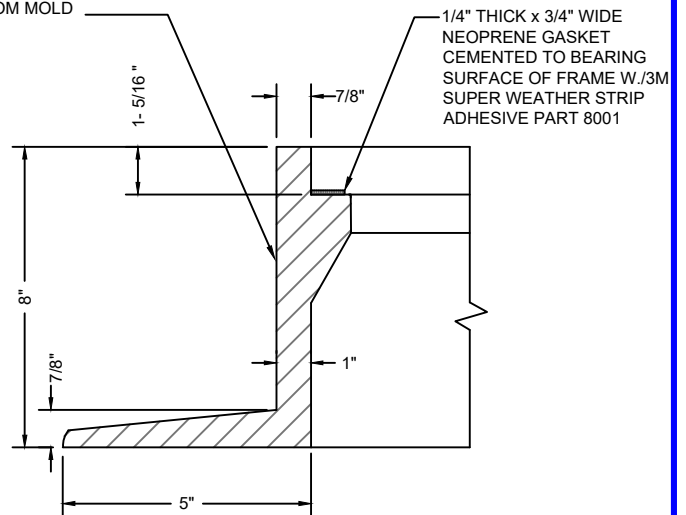


SEE DETAIL P&M 10.2b
FOR CONTINUATION

MATERIAL SPECIFICATION:
GRAY IRON ASTM A48 CL35B

CASTINGS SHALL CONFORM TO AND BE MANUFACTURED
IN ACCORDANCE WITH THE REQUIREMENTS OF AASHTO
STD M306, LATEST REVISION

PROVIDE APPROPRIATE
DRAFT TO ENABLE
REMOVAL OF PATTERN
FROM MOLD



SECTION OF RING

REFERENCE WSSC DWG NO. 721472Y, LATEST REVISION 1-29-81

WASHINGTON
SUBURBAN
SANITARY
COMMISSION

REVISIONS:
APPROVED: May 4, 2021 | 12:46 PM EDT

DocuSigned by:
Jaime Garcia

87DBE23469C84BD
MATERIALS MANAGEMENT DIVISION MANAGER

PROCUREMENT AND MANUFACTURING DETAIL

**LOCKING TYPE-WATERTIGHT
36" MANHOLE FRAME & COVER**

**P&M
10.2a**