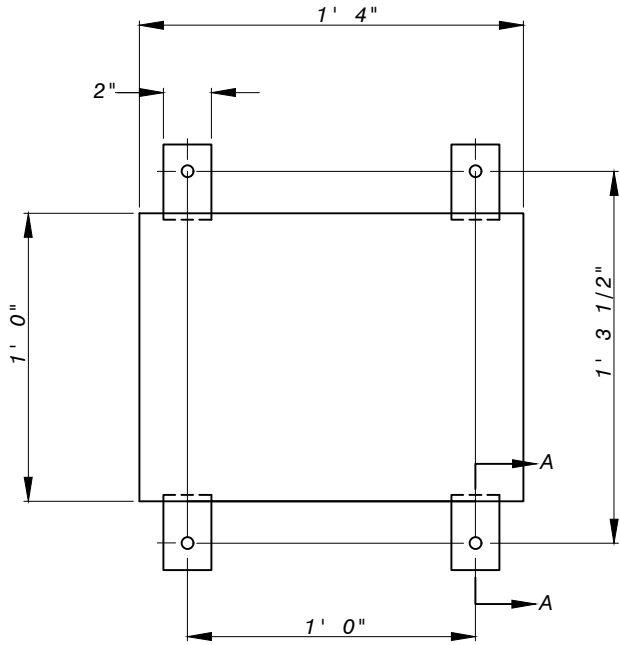
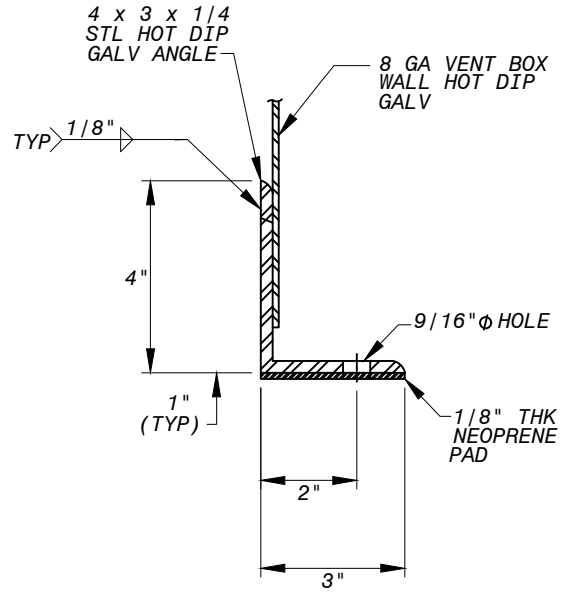


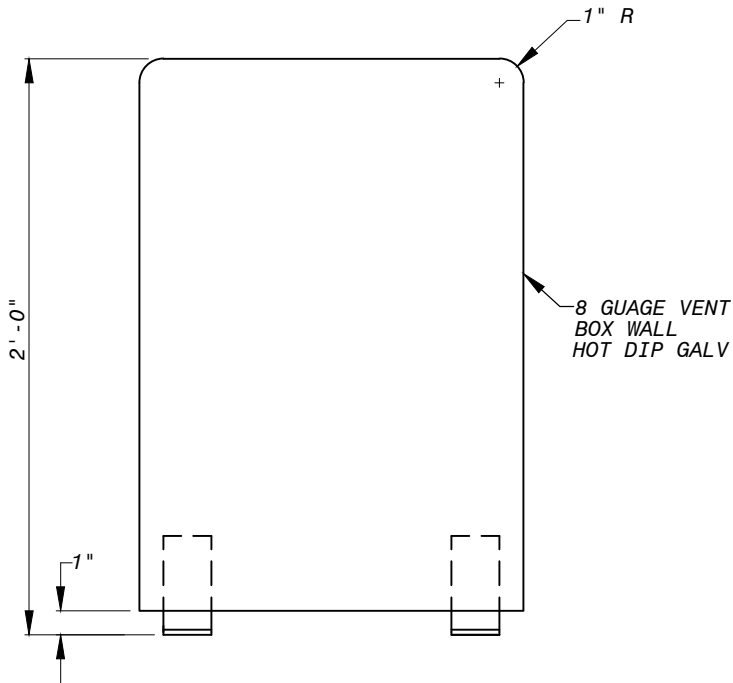
APPLICABLE STOCK NO.
5676-9150-6



TOP VIEW



SECTION A-A



SIDE VIEW

NOTE:
GALVANIZE THE BOX
AFTER FABRICATION
AND WELDING OF STEEL
ANGLES.

SEE MATERIALS
SPECIFICATION FOR
REQUIRED MARKINGS.

WASHINGTON
SUBURBAN
SANITARY
COMMISSION

REVISIONS:
APPROVED: May 4, 2021 | 12:46 PM EDT

DocuSigned by:
Jaime Garcia

B7DBE23469C84BD...
MATERIALS MANAGEMENT DIVISION MANAGER

PROCUREMENT AND MANUFACTURING DETAIL

AIR RELEASE
PIPE VENT BOX

P&M
8.5