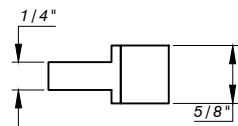
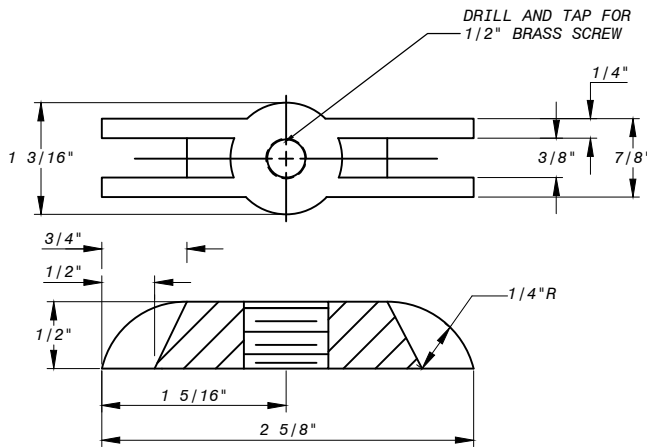
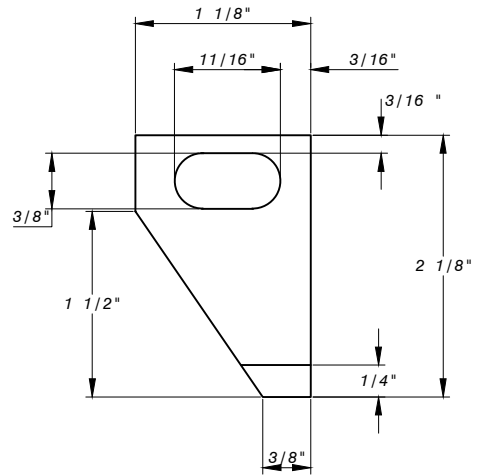
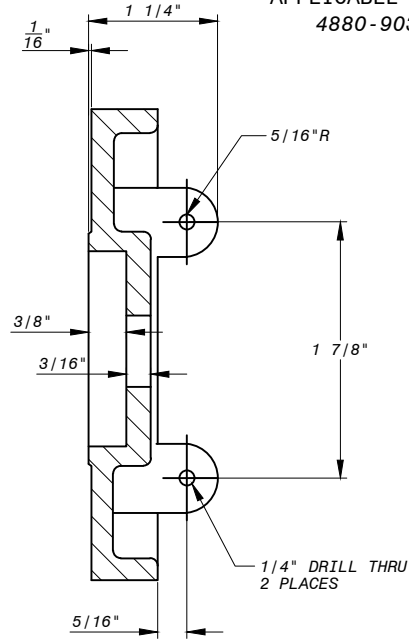
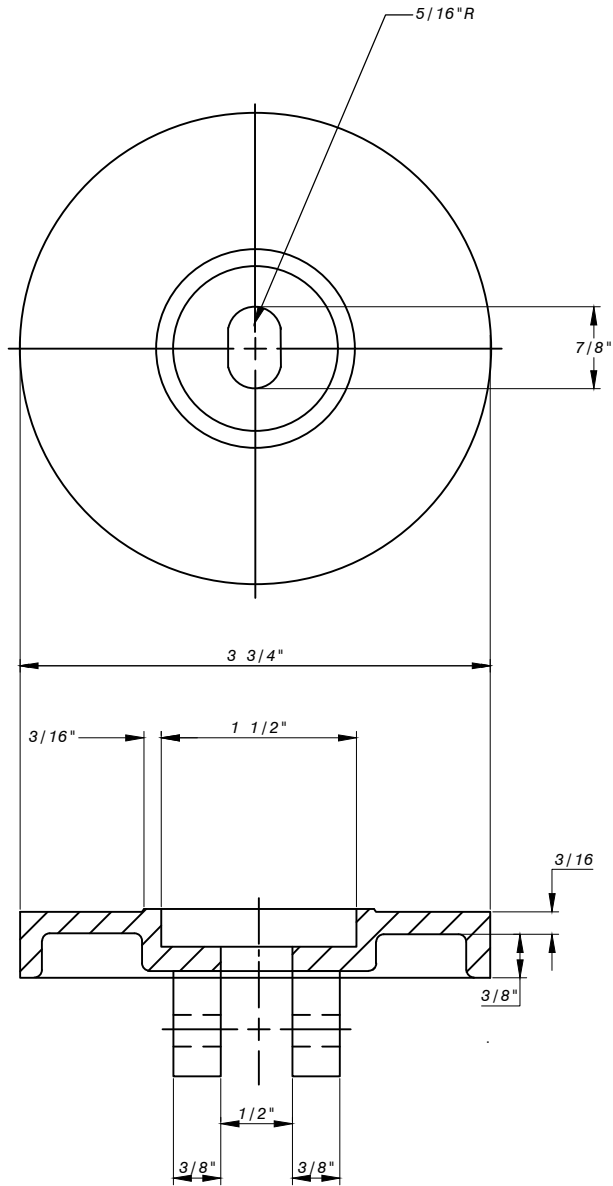


APPLICABLE STOCK NO.
4880-9035-8



WASHINGTON
SUBURBAN
SANITARY
COMMISSION

REVISIONS: May 4, 2021 | 12:46 PM EDT

APPROVED: _____

DocuSigned by:
Jaime Garcia

B7DBE23469C84BD
MATERIALS MANAGEMENT DIVISION MANAGER

PROCUREMENT AND MANUFACTURING DETAIL

**CURB BOX REPAIR LID
FOR PAVED AREAS
(DETAILS)**

**P&M
7.1**