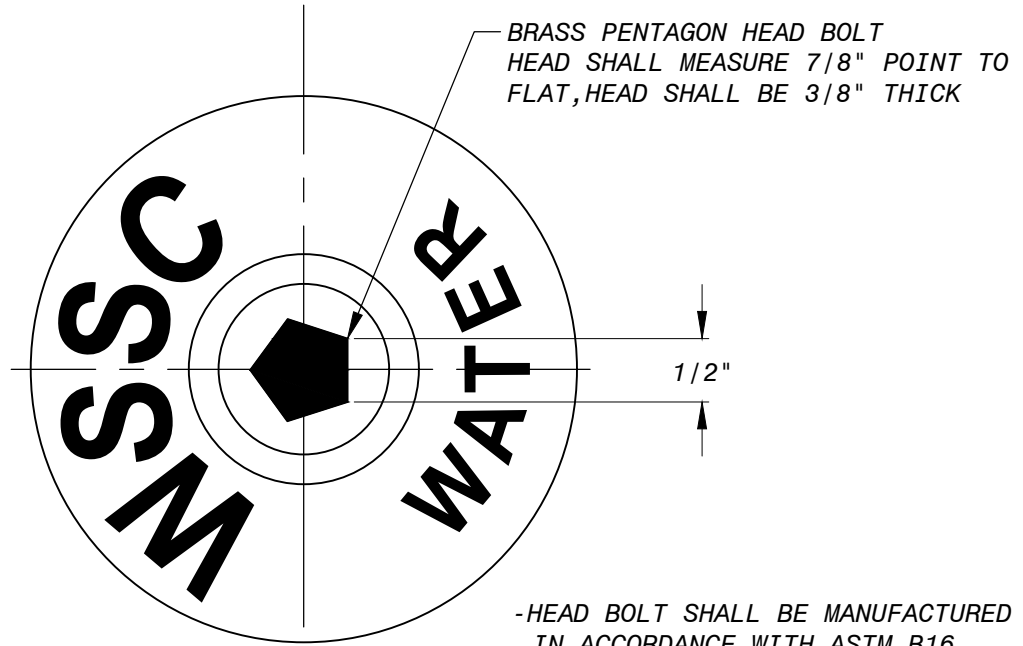
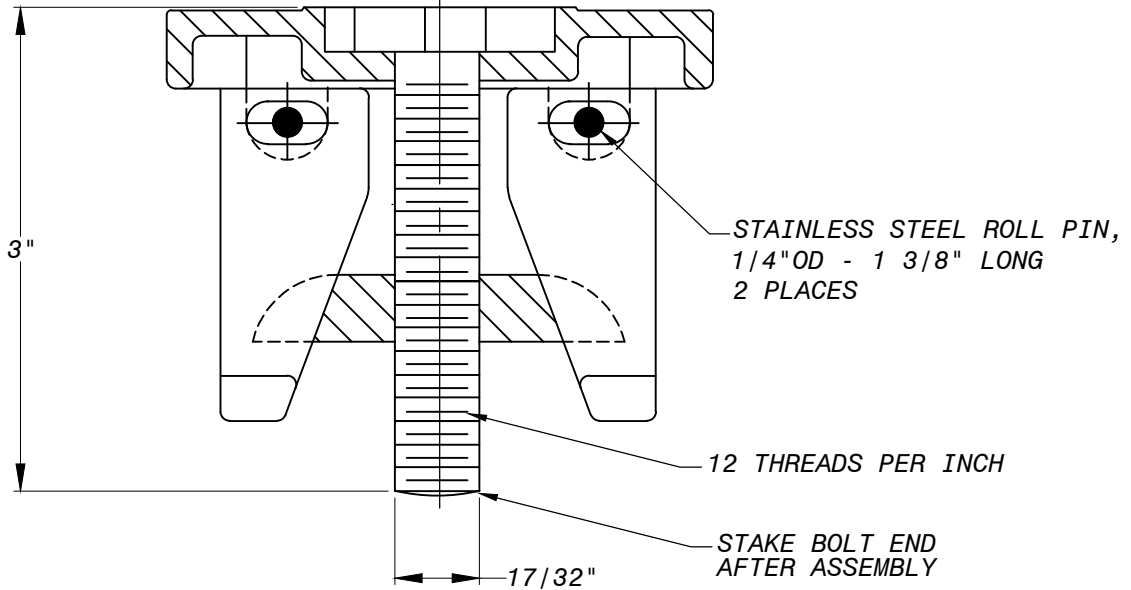


APPLICABLE STOCK NO.
4880-9035-8



- HEAD BOLT SHALL BE MANUFACTURED
IN ACCORDANCE WITH ASTM B16,
LATEST REVISION
- BOLTS SHALL BE HALF-HARD TEMPERED
- MIN. TENSILE STRENGTH: 55,000 PSI
- MIN. YIELD STRENGTH: 25,000 PSI



REPAIR LID ASSEMBLY
SCALE: NONE

ALL DIMENSION ARE IN INCHES
UNLESS OTHERWISE SPECIFIED.

TOLERANCES: $\pm 1/16"$

CASTING SHALL BE CLEANED BY AN APPROVED
PROCESS AND COATED WITH AN APPROVED
SOLVENT-BASED ASPHALT PAINT

ASTM A48
CLASS NO. 25

WASHINGTON
SUBURBAN
SANITARY
COMMISSION

REVISIONS:
APPROVED: May 4, 2021 | 12:46 PM EDT

DocuSigned by:
Jaime Garcia
MATERIAL AND SPECIFICATIONS LEADER

PROCUREMENT AND MANUFACTURING DETAIL

**CURB BOX REPAIR LID
FOR PAVED AREAS
(ASSEMBLY)**

**P&M
7.0**