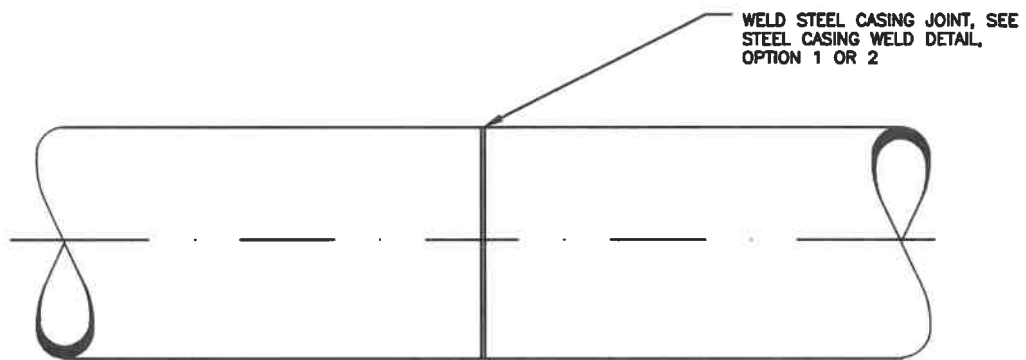
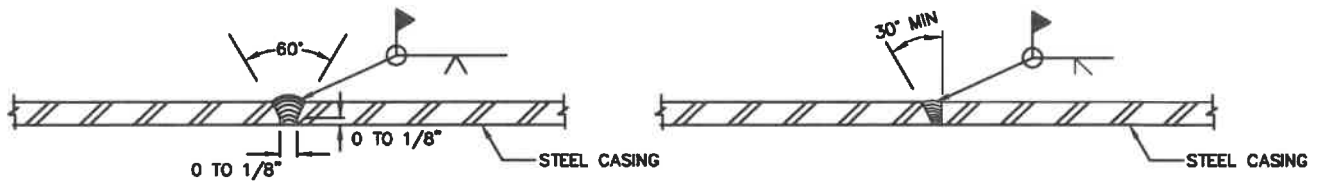


SECTION



STEEL CASING PIPE



OPTION 1

OPTION 2

STEEL CASING WELD DETAIL (TYP.)

WASHINGTON
SUBURBAN
SANITARY
COMMISSION

APPROVED: 6/17/21

Mark Hammer
Chief Engineer

STANDARD DETAIL

HOLD DOWN ASSEMBLY
FOR BORE AND JACK
STEEL CASING PIPES

M
17.2