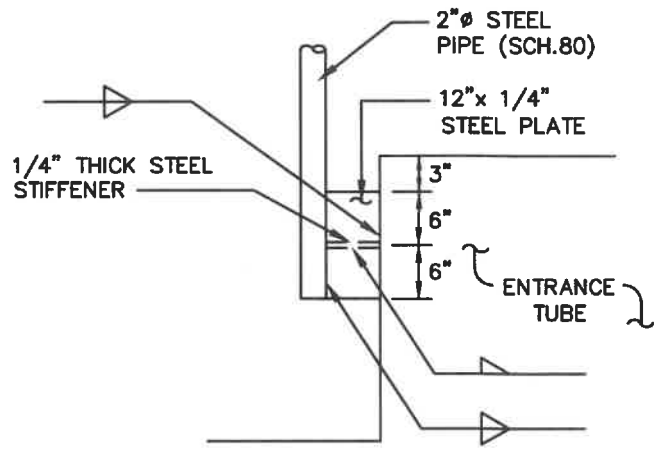


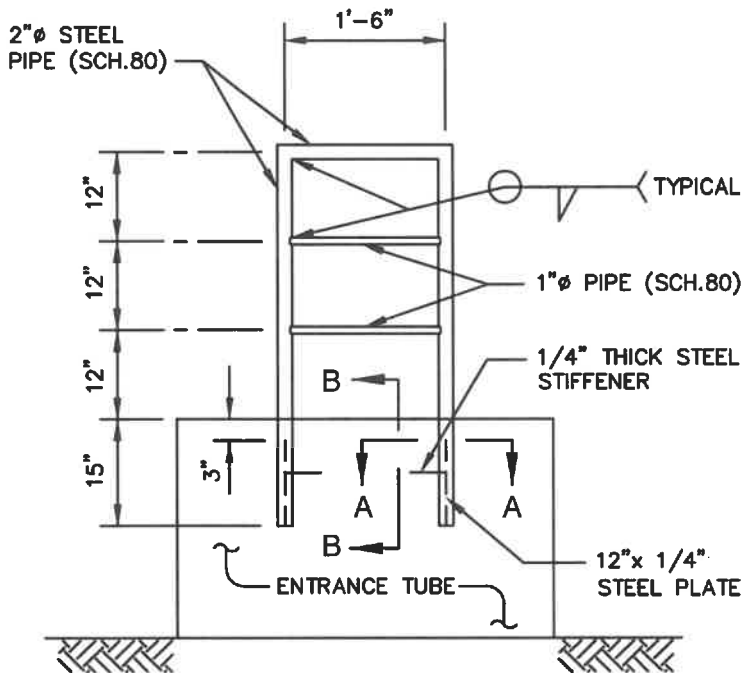
PLAN

NOTES:

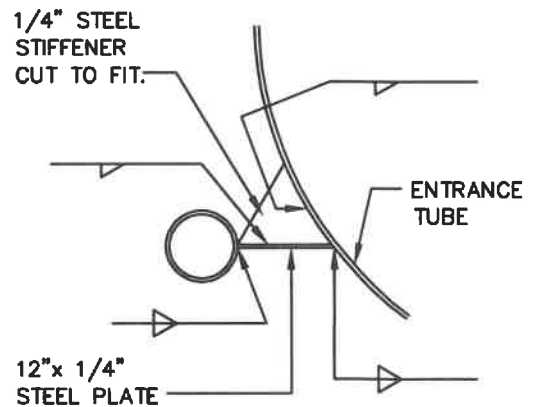
1. ALL STEEL SHALL BE ASTM A-36.
2. WELDS SHALL BE 3/16" WIDE.
3. ENTRANCE COVER SHALL OPEN MINIMUM 85° FROM HORIZONTAL.
4. PAINT NEW MEMBERS AND WELDED AREA TO MATCH COATING SYSTEM AND COLOR WITH OTHERS.



SECTION 'BB'



ELEVATION



SECTION 'AA'

WASHINGTON
SUBURBAN
SANITARY
COMMISSION

APPROVED: 6/17/21

Mike Hammer
Chief Engineer

STANDARD DETAIL

DRY WELL ACCESS
GRAB BAR
(FOR PACKAGE PUMPING STATION)

M
13.0