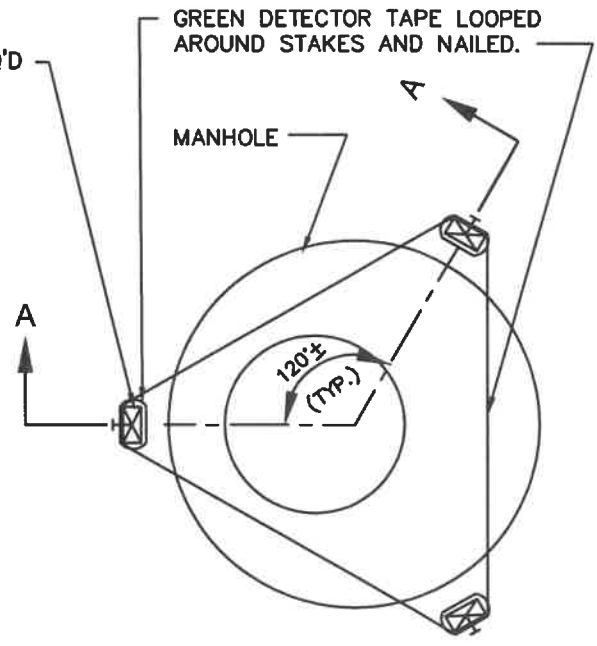



SECTION A A



PLAN VIEW

WASHINGTON SUBURBAN SANITARY COMMISSION	APPROVED: <u>6/17/21</u>  Chief Engineer	STANDARD DETAIL MARKER STAKES FOR MANHOLES, VALVES BOXES AND VENTS	M 12.0
--	---	---	-----------