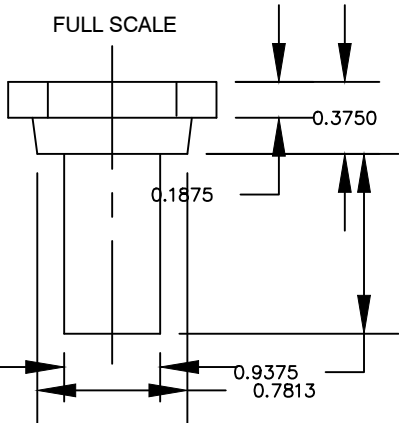


TOP VIEW

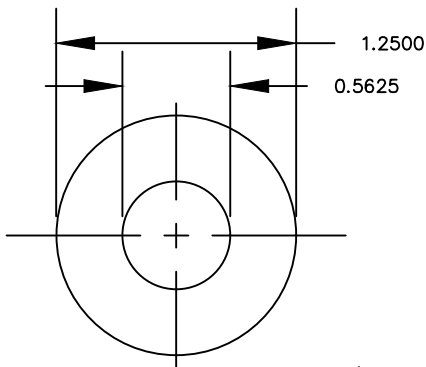
FULL SCALE



SIDE VIEW

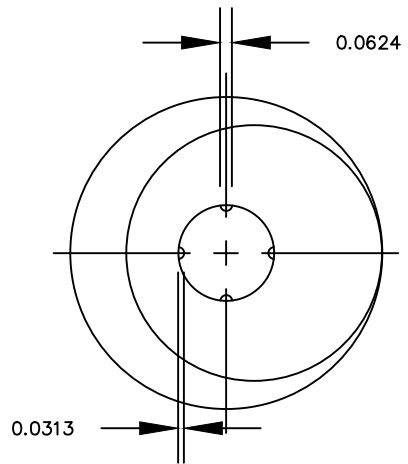
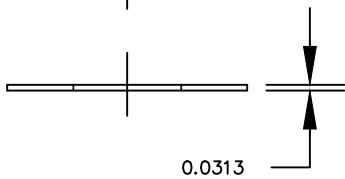
PENTAGON HEAD BOLT

FULL SCALE



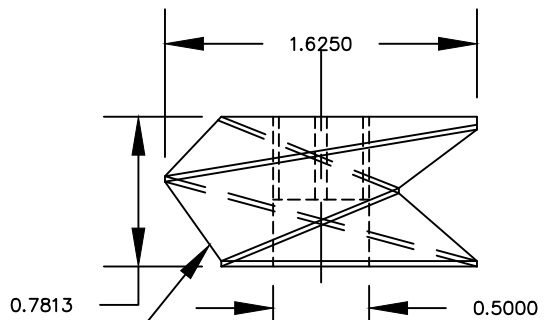
BRONZE OR PLASTIC WASHER

FULL SCALE



TOP VIEW

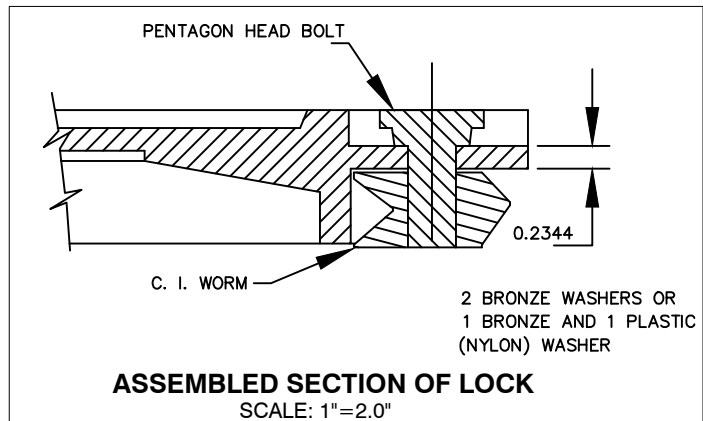
FULL SCALE



SIDE VIEW
CAST IRON WORM

FULL SCALE

THD. 7 1/2 PER INCH



ASSEMBLED SECTION OF LOCK

SCALE: 1"=2.0"

NOTES:

1. PENTAGON HEAD BOLT TO BE ATTACHED TO CAST IRON WORM BY MEANS OF 1/32" SPLINES CAST ON INTERIOR OF WORM. THE END OF THE BOLT SHALL BE SPLIT WITH A PUNCH, A SPLIT BOLT WILL NOT BE ACCEPTED.

WASHINGTON
SUBURBAN
SANITARY
COMMISSION

REVISIONS:
APPROVED: May 3, 2021 | 9:23 PM EDT

DocuSigned by:
Jaime Garcia
B7DBE23469C84BD
MATERIALS MANAGEMENT DIVISION MANAGER

PROCUREMENT AND MANUFACTURING DETAIL

METER COVER PARTS

P&M
4.3