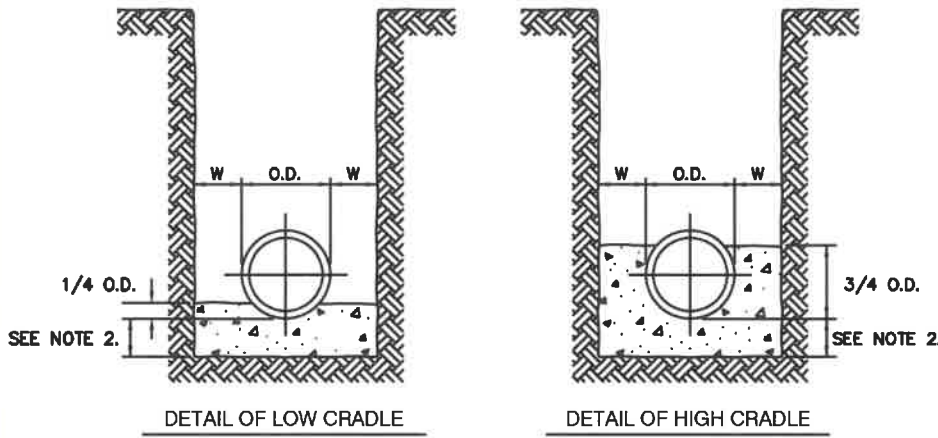


POUR CONCRETE AGAINST UNDISTURBED EARTH. REMOVE TRENCH SHEETING BEFORE POURING CONCRETE OR LEAVE LOWER PORTION OF SHEETING IN PLACE. ALL CONCRETE SHALL BE $f'_c = 2000 \text{ PSI} @ 28 \text{ DAYS}$.

ENCASEMENT DETAIL

NORMAL PIPE DIAMETER	Maximum Payment	
	Cu. Ft. Per Lin.Ft.	Conc. Encasement
4" & 6"	2.64	
8"	2.86	
10"	3.02	
12"	3.46	
15"	4.10	
16" & 18"	5.40	
20" & 21"	6.13	
24"	7.67	
27"	8.91	
30"	9.86	
33"	12.45	
36"	13.53	
42"	15.71	
48"	19.82	
54"	22.98	
60"	25.06	
66"	27.81	
72"	30.62	



CRADLE DETAILS

POUR CONCRETE AGAINST UNDISTURBED EARTH. REMOVE TRENCH SHEETING BEFORE POURING CONCRETE OR LEAVE LOWER PORTION OF SHEETING IN PLACE. ALL CONCRETE SHALL BE $f'_c = 2000 \text{ PSI} @ 28 \text{ DAYS}$.

NORMAL PIPE DIAMETER	Maximum Payment	
	Cu. Ft. Per Lin.Ft. High Cradle	Low Cradle
4" & 6"	1.62	0.98
8"	1.79	1.06
10"	1.91	1.17
12"	2.25	1.30
15"	2.73	1.56
16" & 18"	3.75	2.06
20" & 21"	4.35	2.38
24"	5.62	2.97
27"	6.72	3.73
30"	7.48	4.16
33"	9.69	5.18
36"	10.61	5.67
42"	12.53	6.72
48"	16.12	8.41
54"	18.39	9.67
60"	20.76	10.96
66"	23.22	12.34
72"	25.76	13.77

NOTES:

1. FOR TRENCH WIDTH "W", SEE DETAILS M/8.0, M/8.1a, M/8.1b AND M/8.1c.
2. FOR PIPE SIZES OF 24" DIAMETER & SMALLER, THE DIMENSION SHALL BE 3" MIN. FOR PIPE SIZES LARGER THAN 24" DIAMETER, THE DIMENSION SHALL BE 4" MIN.

WASHINGTON
SUBURBAN
SANITARY
COMMISSION

APPROVED: 6/17/21
Mike Harmon
Chief Engineer

STANDARD DETAIL
CONCRETE ENCASEMENT
AND CRADLE DETAILS
FOR SEWER MAINS

M
9.0