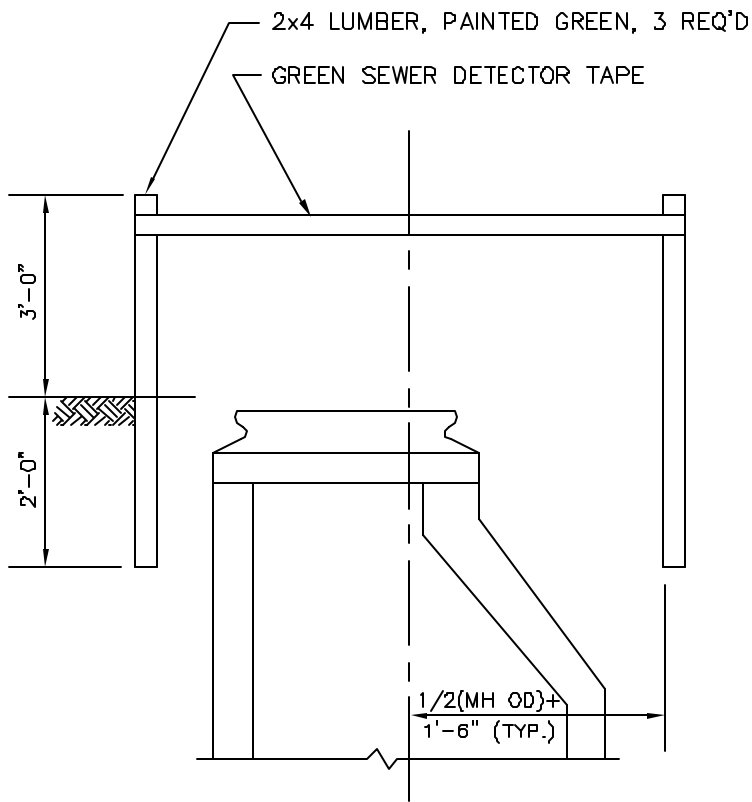
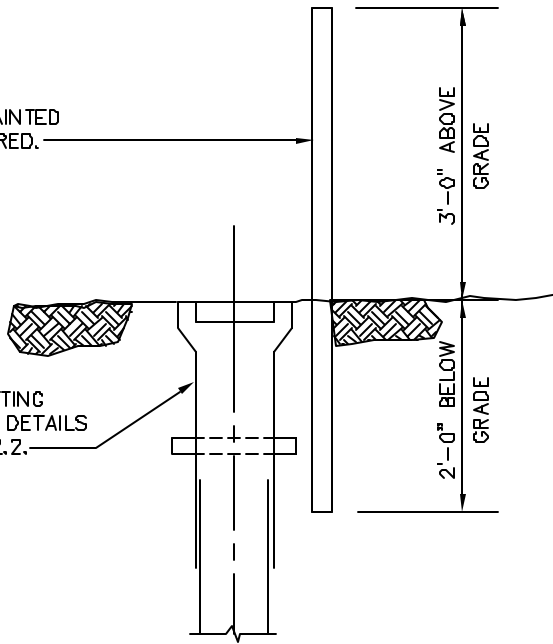
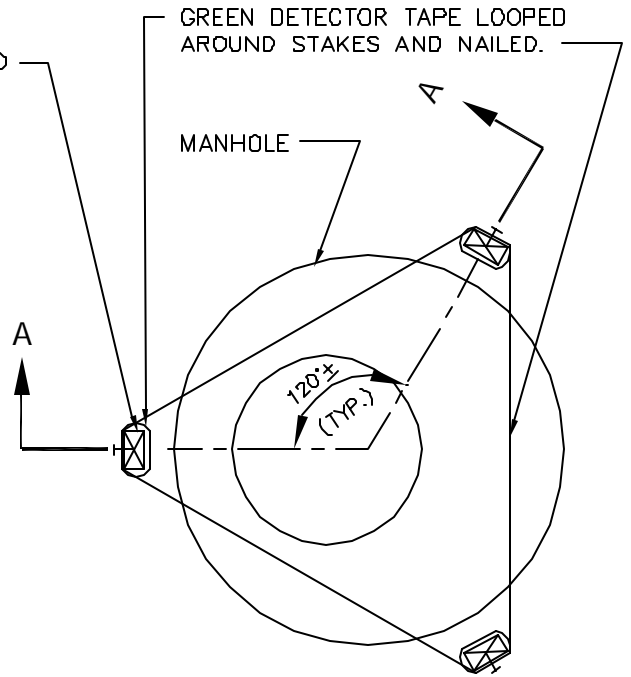


2x4 LUMBER PAINTED GREEN 1 REQUIRED.

VALVE BOX SETTING PER STANDARD DETAILS W/2.1 AND W/2.2.



SECTION A A



PLAN VIEW

WASHINGTON
SUBURBAN
SANITARY
COMMISSION

APPROVED: SEP 12 2002

Ricardo Rodriguez
Chief Engineer

STANDARD DETAIL

MARKER STAKES FOR
MANHOLES, VALVES
BOXES AND VENTS

M
12.0